

EN Thank you for purchasing Electric Wine Aerator and Dispenser gift set.

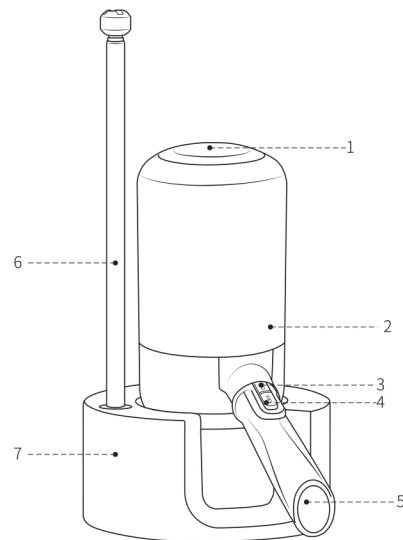
BEFORE USING FOR THE FIRST TIME

To ensure safety and maintain the high quality of the product, we recommend that you read and follow the instructions carefully.

- Do not immerse the appliance in water or any other liquid to avoid physical injury or damage to the product.
- Keep this product away from children.
- Do not dismantle the product by yourself.
- Do not force the product onto a bottle or attempt to speed up the mechanism. This product works best when operating at its intended speed.
- Do not use this product for any other purpose.
- Keep away from flammable, explosive gas.



PRODUCT INFORMATION

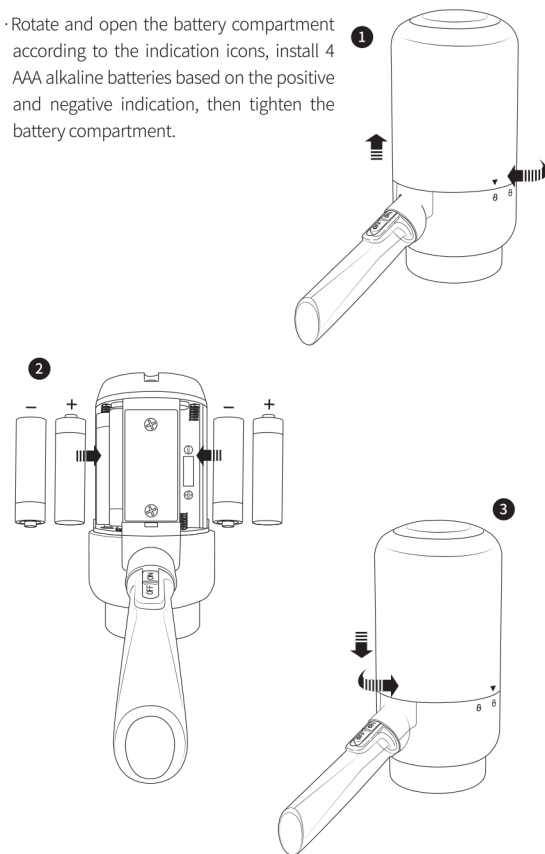


1. Button
2. Battery compartment
3. Aerator valve
4. Aeration air inlet
5. Dispenser spout
6. Extension tube
7. Storage Base

*The physical product shall prevail in appearance.

HOW TO INSTALL BATTERIES

• Rotate and open the battery compartment according to the indication icons, install 4 AAA alkaline batteries based on the positive and negative indication, then tighten the battery compartment.

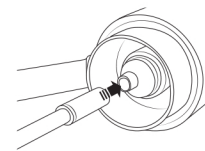


HOW TO USE THE AERATOR AND DISPENSER

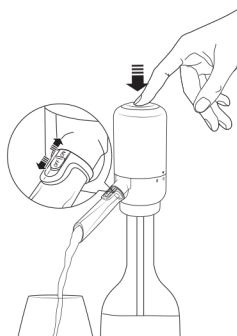
• Install the extension tube onto the dispenser and adjust it to suitable length.



• Put the tube into the bottle, press the dispenser downwards to tightly jacket on the bottleneck, and select to turn ON or OFF the aerator switching valve according to aeration demand.



• Place a wine glass under the dispenser spout, press and hold the button on the top of the product, the wine flows smoothly through the aerator channel into the glass. Release the button to stop the wine pouring.



Friendly tips

- The dispenser should not be washed with water directly. After using the dispenser, please fill an empty wine bottle with clean water, then insert the dispenser and press the button to dispense the water for cleaning of the tube. Repeat at least 3 times to ensure removing the smell.
- The extension tube can be removed from the product and washed with water directly. After cleaning, store the product in a clean and dry place.
- This product is suitable for wine bottles with an bottleneck outer diameter of less than 35 mm and an bottleneck inner diameter of 18 mm to 19 mm.
- When the remaining amount of wine is less than 50ml, the wine may splash out when dispensing due to unstable pressure. It is recommended to remove the dispenser and pour the wine directly from the bottle.
- When using the product to preserve, it is not recommended to store the wine bottle horizontally.

TROUBLESHOOTING

Case 1: After the dispenser is installed on the wine bottle, if no wine comes out of the dispensing spout after the corresponding button is pressed: it is required to check whether the dispenser and the bottle opening are tightly assembled, and whether the tube is installed well. If not, you may reinsert the dispenser or reinstall the tube, then try again.

Case 2: When the dispensing amount of wine is less than normal: this is possibly caused by low battery power, please replace with new batteries before using the product again.

Case 3: In case of other use faults, please contact the customer service personnel for arrangement of repair matters.